



Structure
Avantage

Excellent Home
Weaving Beautiful Life



**ARMOIRE
CUISINE**

About us



- **The Factory** have more than 10 years experience in kitchen cabinet, bathroom Cabinet, wardrobe, TV stand etc.
- With 2 work shops covering over 15000 SQM, our company has 150 staffs in workshop and 10 salesmen in office. In order to provide our clients quality products, our company equiped the high end machine imported from Germany and the latest automatic production line. Punching Machine, Edging Machine, CNC molding Machine, Heat Pressing Machine, PVC Thermopile Machine. Painting machine, Painting room etc. We always place high emphasis on training our technicians, our suggestive design capability, strict QC system and 100% in-time delivery make our clients trust and build very strong relationship with us.
- From beginning of foundation, our company has contracted on house projects for both of China mainland and oversea customers. Every year we export about 20000 cabinets to many countries like USA, Australia, Canada, UK, NZ and other countries .

Our factory



Our equipment



Our Products



**EXCELLENT HOME
WEAVING BEAUTIFUL LIFE**



Content

- Company introduction (1-5)
- Lacquer kitchen cabinet (7-15)
- Laminate & Melamine kitchen cabinet (16-22)
- PVC Kitchen cabinet (23-26)
- Wood veneer kitchen cabinet (27-33)
- Solid wood kitchen cabinet (34-40)
- Shaker door kitchen cabinet series (41-44)
- Hardware (45-47)
- Accessory (48-50)
- Handle options (51-52)
- Package (53)

Lacquer kitchen cabinet



Item No. KL001

Door: Lacquer

Handle type: L/C style handle free



Item No. KL002
Door: Lacquer
Handle type: Push open





Automatic Blum HF



Arc-shaped corner

Item No. KL003
Door: Lacquer
Handle type:
Push open&Insert handle





Item No. KL004

Door: Lacquer

Handle type: L/C style handle free



Item No. KL005

Door: Lacquer

Handle type: Exterior Handle



Item No. KL006
Door: Lacquer
Handle type: Handle free





Item No. KL008

Door: Lacquer – Arch door

Handle type: Exterior handle





Item No. KL007
Door: Lacquer
Handle: Exterior Handle





Item No. KL009 – MDF Shaker Style
Door: Lacquer
Handle: Exterior Handle



Melamine & Laminate kitchen cabinet



Item No. KM001

Door : Melamine

Handle type: Exterior handle





Item No. KM002

Door : Melamine & Lacquer

Handle type: Handle free





Item No. KM004
Door : Laminate & Lacquer
Handle type: Handle free





Item No. KM003
Door: Melamine & Lacquer
Handle type: Handle free





Item No. KM005
Door: Laminate & Lacquer
Handle type: Handle free

 | Structure
Avantage



Item No.KM006
Door : Laminate
Handle type: Exterior Handle





Item No.: KM007

Door: Laminate

Handle type: Exterior Handle

PVC Kitchen cabinet



Item No. KP001
Door: PVC membrane
Handle type: Handle free



Item No. KP002
Door: PVC membrane
Handle type: Exterior handle





Item No. KP003
Door: PVC membrane
Handle type: Exterior handle

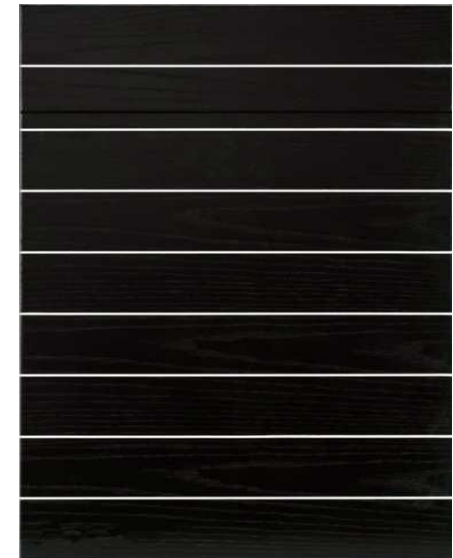




Item No. KP004
Door: PVC membrane
Handle type: Exterior handle



Wood Veneer kitchen cabinet



Item No. KW001

Door: Wood veneer with Alu. Alloy embedded

Handle type: Exterior Handle



Item No. KW002
Door: Wood veneer
Handle type: Exterior handle





Item No. KW003

Door: Wood veneer & MDF

Handle type: Exterior handle





Item No. KW004

Door: Wood veneer & lacquer

Handle type: Exterior handle

Special design for apartment use



Item No. KW005
Door: Wood veneer
Hardware type: Exterior handle





Item No. KW006

Door: Wood veneer – Photo from Client

Hardware type: Exterior handle





Item No. KW007

Door: Wood veneer – Arch door

Hardware type: Curved handle

Solid wood kitchen cabinet



Item No. KS001

Door: Painted Cherry Wood



Item No. KS002
Door: Stained Oak





Item No. KS003
Door: Cherry & Walnut



Item No. KS004
Door: Painted Cherry Wood



Item No. KS005
Door: Oak



Item No. KS006
Door: Stained Oak



Item No. KS006 details
Door: Stained Oak





Item No. SH002

Door: Painted solid wood



Structure
Avantage

Shaker door series



Item No. SH001
Door: Painted solid wood





Item No. SH003
Stain & Paint combo



Item No. SH004
Door: Solid wood

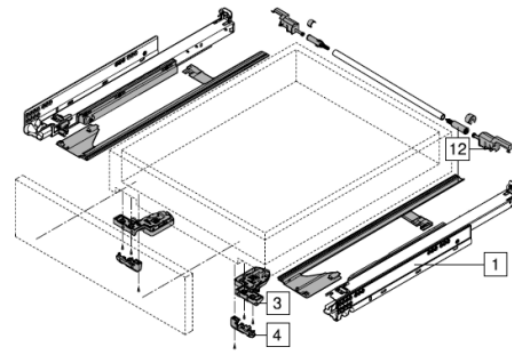
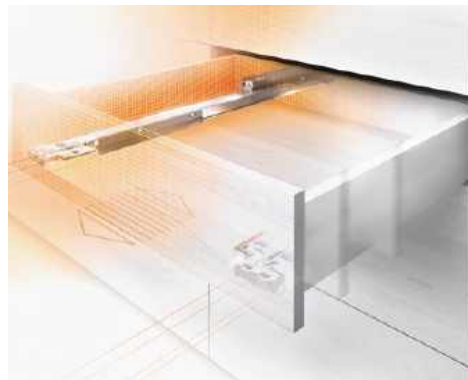
Hardware

1. Blum brand – Austria imported brand
2. DTC brand – China domestic top brand
3. Other customer required brand for projects

Hinge



Soft Closing Drawer System



Lift Up System-Servo System Available



Blum HF



Blum HK



Blum HS



Blum HL



Blum HK-S



Hettich Air Support

Corner Accessory



Lazy Susan



180° Corner Tray



270° Corner Tray



Magic Corner



Other Accessory



Spice Rack



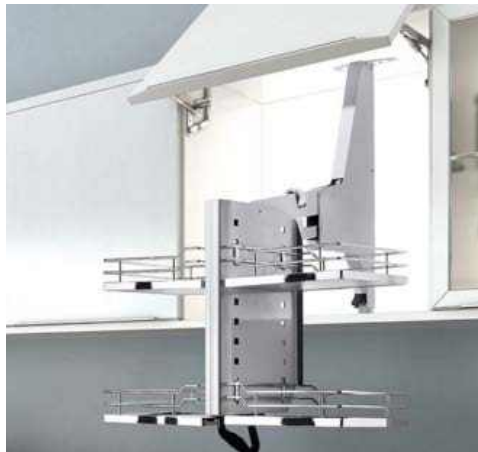
Dish Rack



Trashbin



Roller Shutter



Wall Cabinet Lifter



Wall Cabinet Dishrack



Blum Cutlery Tray

Pantry Basket



Swing Style



Pull Out Style



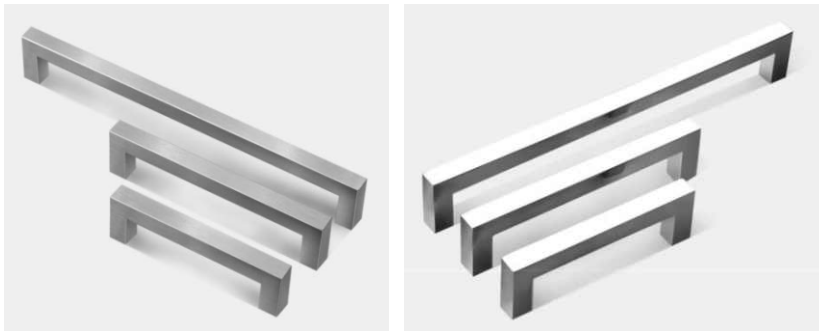
Popular Handle Styles - 1



Round stainless steel



Country style



Square stainless steel



Classical style

Popular Handle Styles - 2



45 tilt cut



Front curved



L/C carcass handle



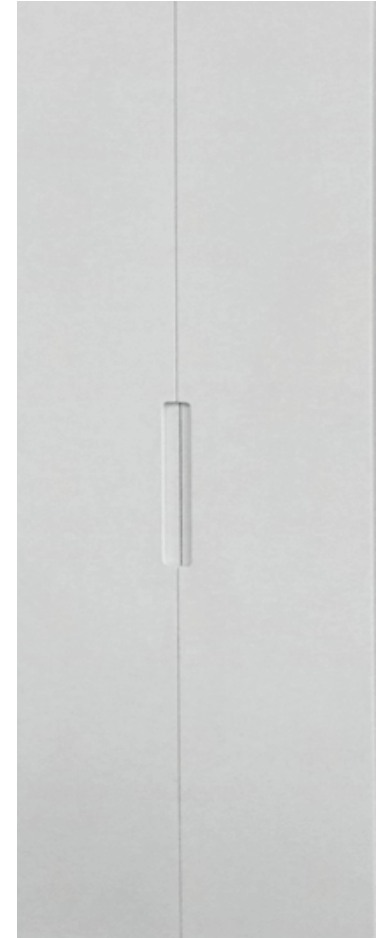
G style



Top mount style



Push open

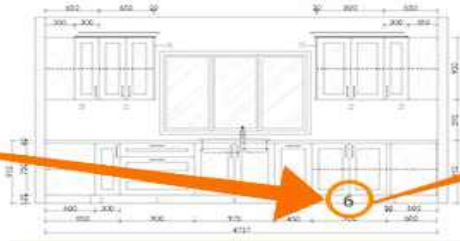


Pantry curved handle

Label and Package



Label on cabinet



Cabinet Number on drawing



Shipping mark on package



Assembled package



Flat package



Countertop package





| Structure
Avantage

Contact : Dominique

Email: doumm@msn.com

Mobile/ whatsapp : 514 885-2011

Wechat :

Website: <http://www.vendvit.ca>

End